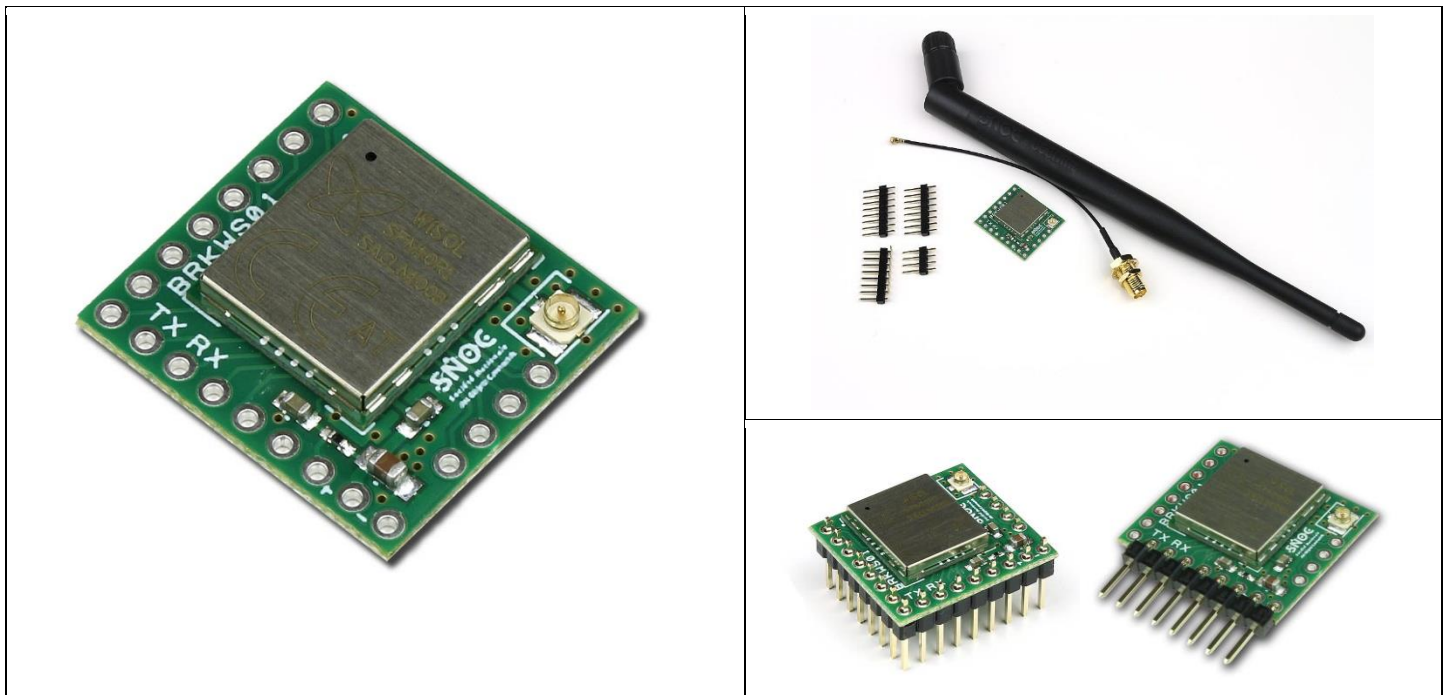


SigFox Module SFM10R1 Breakout board *BRKWS01*



The breakout BRKWS01 is a very small footprint SigFox breakout board based on the Wisol SFM10R1 module. This board will enable you to integrate and use the SigFox LPWan network into your IOT project design, providing simple data transmission feature.



- ✓ **Ultra-Small foot-print 23.3mm x 21.3mm (<math><5\text{cm}^2</math>)**
- ✓ **Versatile usages, breadboard, vertical Single Inline Package**
- ✓ **Simple control by AT commands**
- ✓ **Sigfox verified Wisol module**

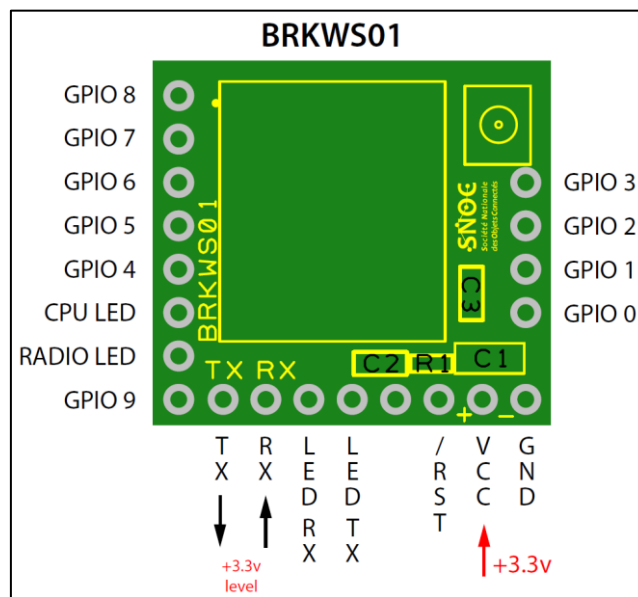
BRKWS01 breakout board description

Thanks to the small dimension of the SFM10R1 Wisol module, an ultra-small foot-print breakout board design was possible.

The design of the breakout allows versatile usages from the development of your prototype to the mass production of your project. Indeed, the layout of input/output pin is such that you can use the standard module features with the breakout board position vertically as a Single Inline Package module (SIP). Therefore, the integration into your PCB design is facilitated.

The breakout board BRKWS01 is a board using the Sigfox Verified Wisol module, ensuring reliable capabilities to communicate with the network. It is design and produced in France in our office and facilities.

BRKWS01 Circuit diagram



BRKWS01 Pin description

Name	Type	Description
GPIO8	I/O/PU	General purpose IO
GPIO7	I/O/PU	General purpose IO, selectable SPI functionality (MISO)
GPIO6	I/O/PU	General purpose IO, selectable SPI functionality (MOSI)
GPIO5	I/O/PU	General purpose IO, selectable SPI functionality (SCK)
GPIO4	I/O/PU	General purpose IO, selectable $\Sigma\Delta$ DAC functionality, selectable dock functionality
CPU_LED	O	CPU activity indicator
RADIO_LED	O	Radio activity indicator
GPIO9	I/O/PU	General purpose IO, wakeup from deep sleep
UARTTX	O	UART transmit
UARTRX	I/PU	UART receive
LEDRX	O	Receive activity indicator
LEDTX	O	Transmit activity indicator
NC4/DBG_EN	PD	Do not connect
/RST	I/PU	Optional reset pin
VCC	P	Power supply
GND	P	Ground
GPIO0	I/O/A/PU	General purpose IO, selectable ADC functionality, selectable $\Sigma\Delta$ DAC functionality, selectable clock functionality
GPIO1	I/O/A/PU	General purpose IO, selectable ADC functionality
GPIO2	I/O/A/PU	General purpose IO, selectable ADC functionality
GPIO3	I/O/A/PU	General purpose IO, selectable ADC functionality

BRKWS01 Specifications

Absolute Maximum Ratings				
Parameter	Rating		Unit	
Operating temp.	-30 to +85		°C	
Storage temp.	-40 to +125		°C	
DC Characteristics				
Parameter	Min	Typ.	Max	Unit
Input Voltage	1.8	3.3	3.6	V
Tx Current (@14dB setting)		54	55	mA
Rx Current		15	Your measured value	mA
I/O Specifications				
Parameter	Min	Typ.	Max	Unit
supply voltage	1.8		3.6	V
High level input voltage	2.0			V
Low level input voltage			0.8	V

BRKWS01 Communication command

The module is controlled with serial AT commands sent on TX/RX pins.
Below is the communication specification and AT commands to use.

Serial communication: 9600 bauds, 8bits, 1 stop bit, no parity

AT commands:

Communication test:	AT
Get Module ID:	AT\$I=10
Get PAC code:	AT\$I=11
Send a SIGFOX message:	AT\$SF=XXXXXXXXXXXX (Hexadecimal value)
Send a SIGFOX message with downlink frame:	AT\$SF=XXXXXXXXXXXX,1 (Hexadecimal value)

BRKWS01 Kit include:

- 1x Breakout Board BRKWS01
- 1x 8 pins header 1 row, straight, gold plating
- 1x 8 pins header 1 row, 90° Angled, gold plating
- 1x 4 pins header 1 row, straight, gold plating

