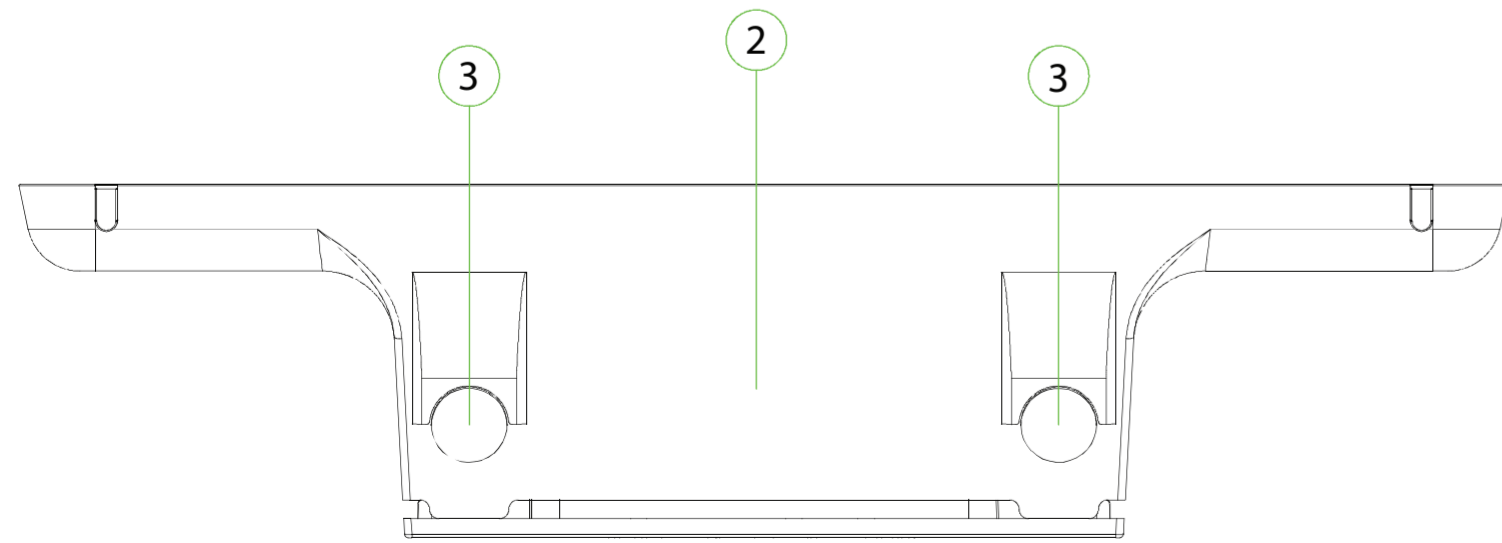
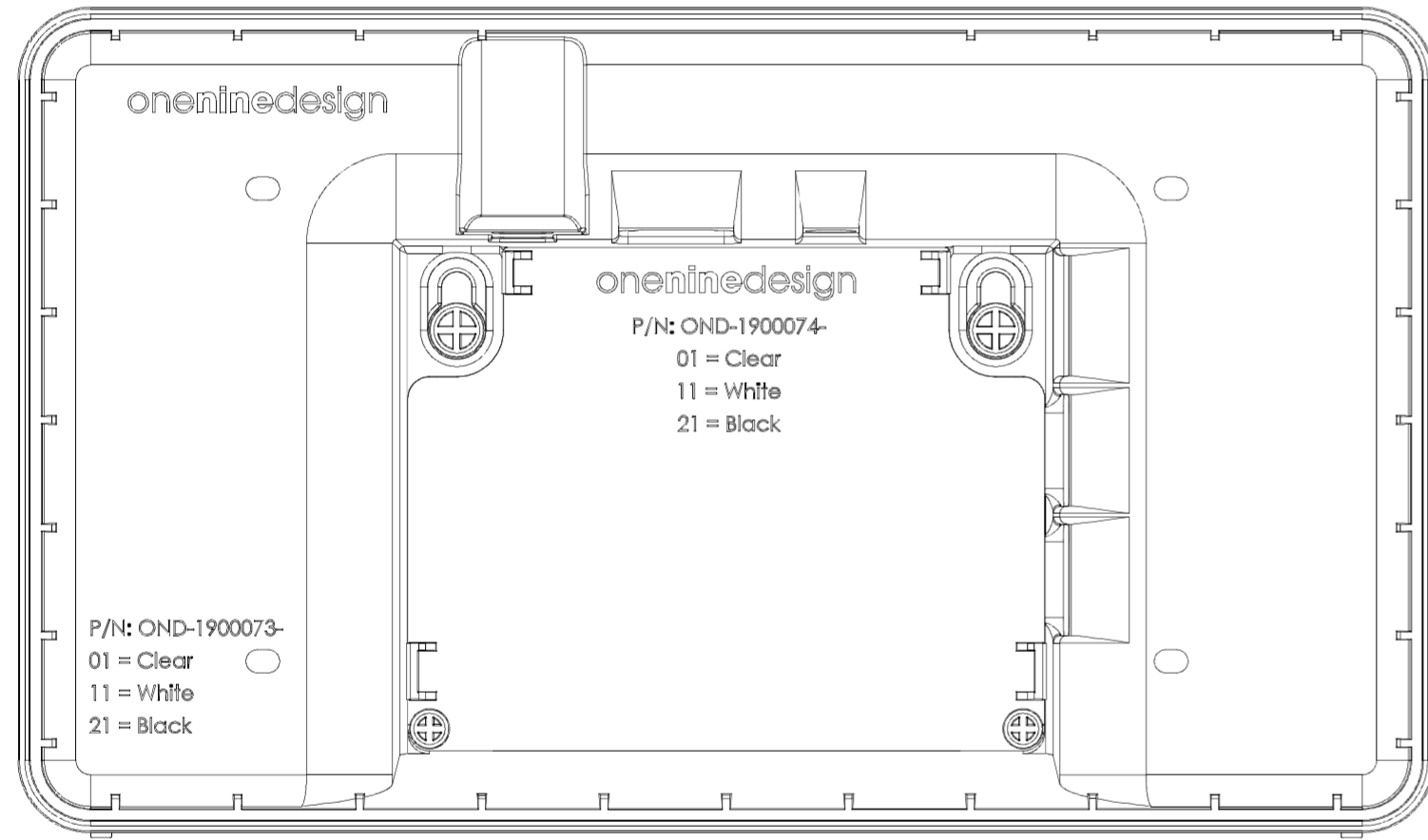
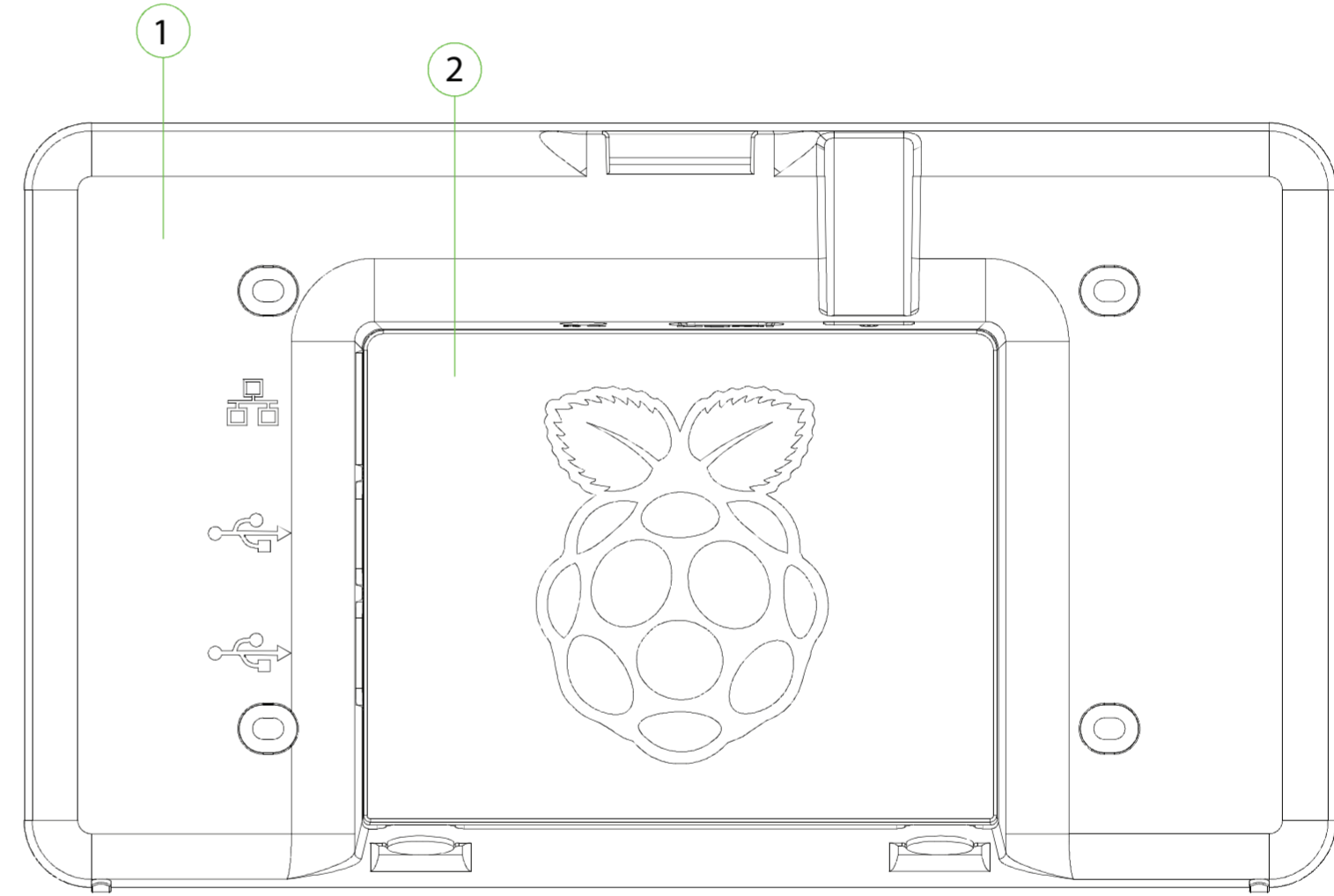
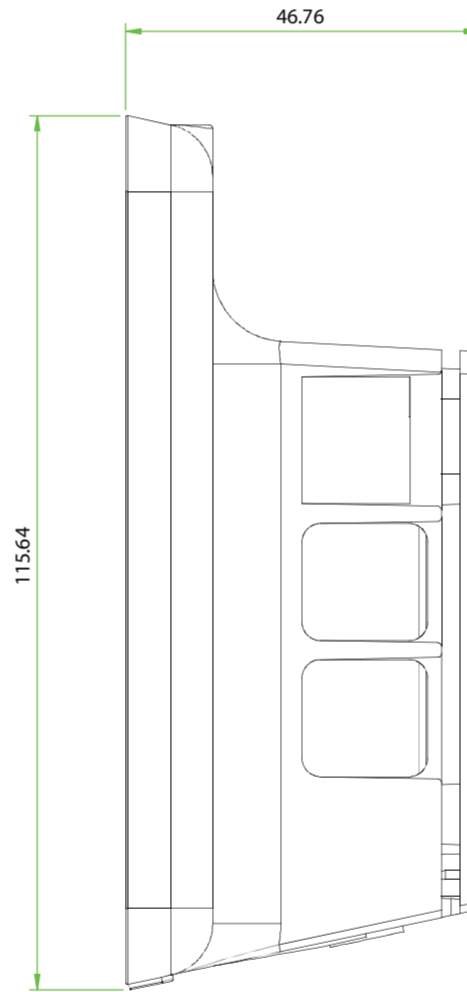
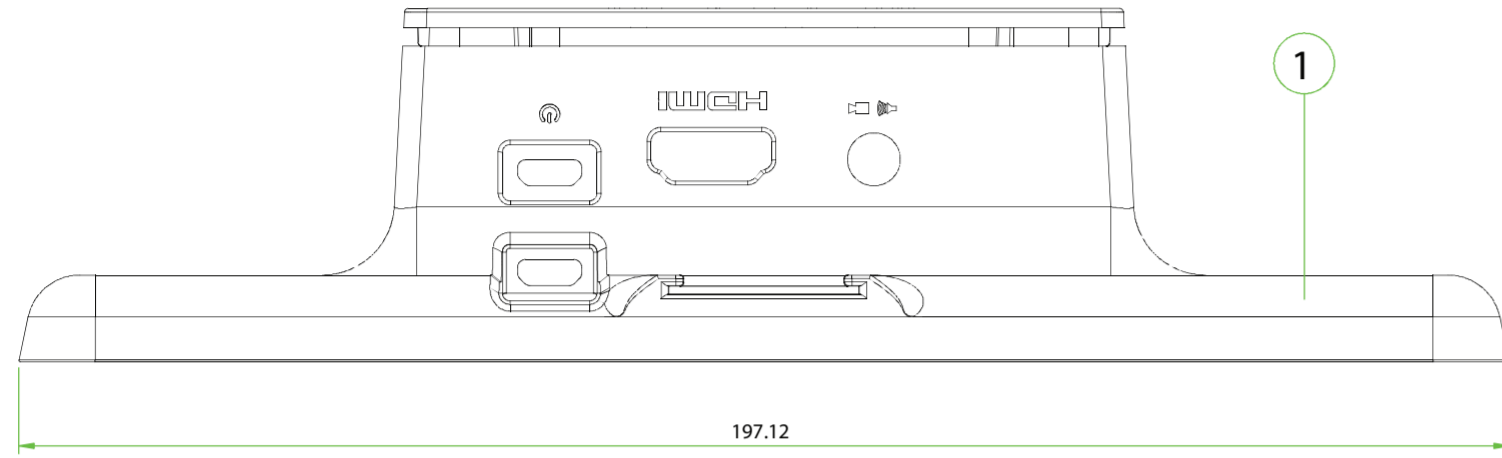
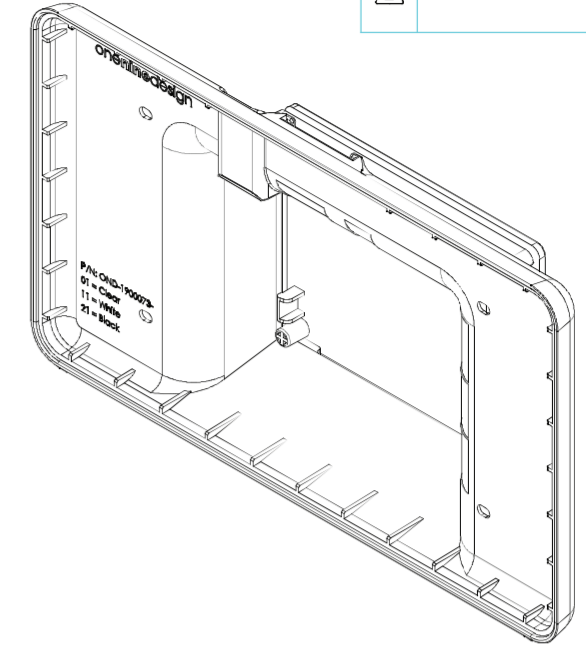


> MECHANICAL COMPONENTS ASSEMBLY <

No.	Component Description	Qty	Part Number
1	Screen case moulding	1	OND-1900073-**
2	Rear cover moulding	1	OND-1900074-**
3	Adhesive rubber foot	2	OND-1900008-01

NOTE: \*\* The individual moulding colour will match the assembly colour suffix.

NO.	REVISION	DATE / SIGNED
△	Drawing release	09.11.15 OND
△		



Suffix	Component Description	Comment
-01	Case Assembly - Colour = CLEAR	
-11	Case Assembly - Colour = WHITE	
-21	Case Assembly - Colour = BLACK	

REFER TO 3D CAD DATA FOR TOOL MANUFACTURE

RoHS Compliant: Parts on this document must comply with the requirements and procedures specified in the RoHS compliant hand book - [www.rohs.gov.uk](http://www.rohs.gov.uk)

GENERAL TOLERANCE	
DIM'N	TOL. ±
0 → 6	0.08
7 → 30	0.1
31 → 120	0.2
121 → 300	0.3
301 → 600	0.4
601 → 1200	0.5

1	ASM-1900035- See Suffix table	TOUCH SCREEN CASE ASSEMBLY	RASPBERRY Pi	ABS UL94HB	REFER TO INDIVIDUAL COMPONENT DRAWING		
NO.	PART NO.	DESCRIPTION	MODEL NO.	MATERIAL	FINISH	QTY	
<small>THIS DRAWING AND DESIGN ARE THE EXCLUSIVE PROPERTY OF ONE NINE DESIGN. THE DRAWING SHALL NOT BE COPIED OR COMMUNICATED IN ANY FORM WITHOUT PRIOR AUTHORITY FROM ONE NINE DESIGN. <a href="http://www.oneninedesign.co.uk">www.oneninedesign.co.uk</a></small>							<b>A2</b>
<small>ALL DIMENSIONS IN mm UNLESS OTHERWISE STATED</small>			SHEET 1 OF 1				
DRAWN	CHECKED	APPROVED	SCALE	CAD DATA:			
OND	OND		1:1				
09.11.15	09.11.15						