

Watering

SKU:U101



Description

Watering is a capacitive soil moisture detection and adjustment unit. The product integrates water pump and measuring plates for soil moisture detection and pump water control. It can be used for intelligent plant breeding scenarios and can easily achieve humidity detection and irrigation control. The measurement electrode plate uses the capacitive design, which can effectively avoid the corrosion problem of the electrode plate in actual use compared with the resistive electrode plate.

Product Features

- Capacitive measuring plate (corrosion resistant)
- Integrated 5W power water pump
- LEGO compatible holes

Includes

- 1x Watering Unit
- 2x suction pipe
- 1x HY2.0-4P cable

Application

- Plant cultivation
- Soil moisture detection
- Smart irrigation

Specification

Resources	Parameter
Pump power	5W
Net Weight	78g
Gross Weight	103g
Product Size	192.5*24*33mm
Package Size	200*35*45mm

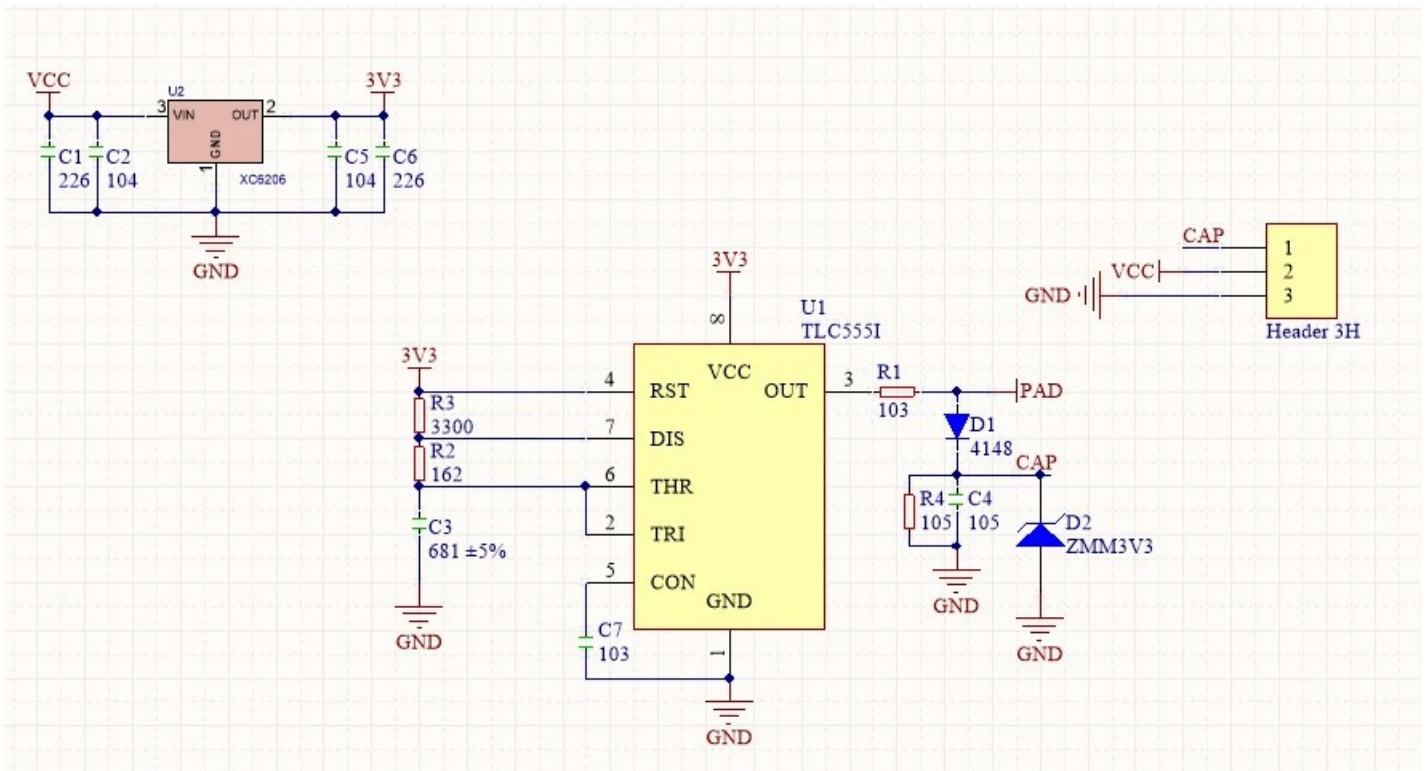
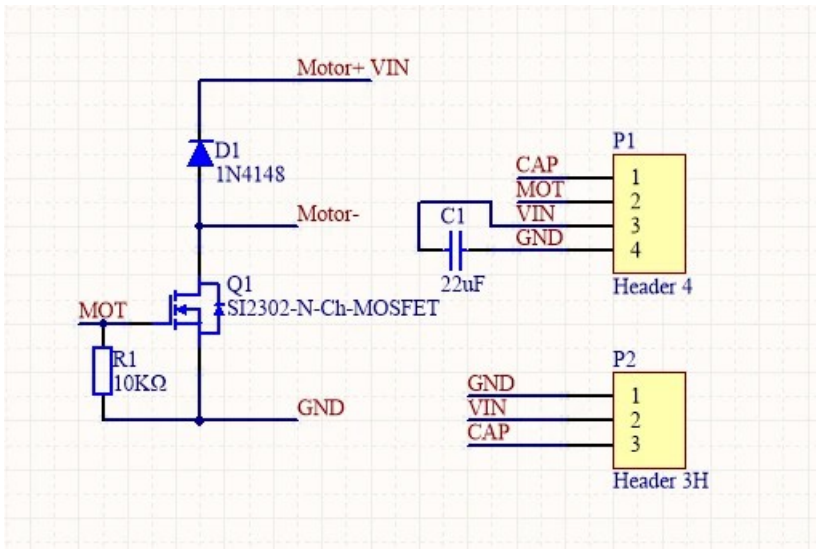
EasyLoader

- **Windows**
 - [Watering Test](#)
- **MacOS**
 - [Watering Test](#)

PinMap

M5Core(PORT B)	GPIO26	GPIO36	5V	GND
Watering Unit	PUMP	INPUT	5V	GND

Schematic



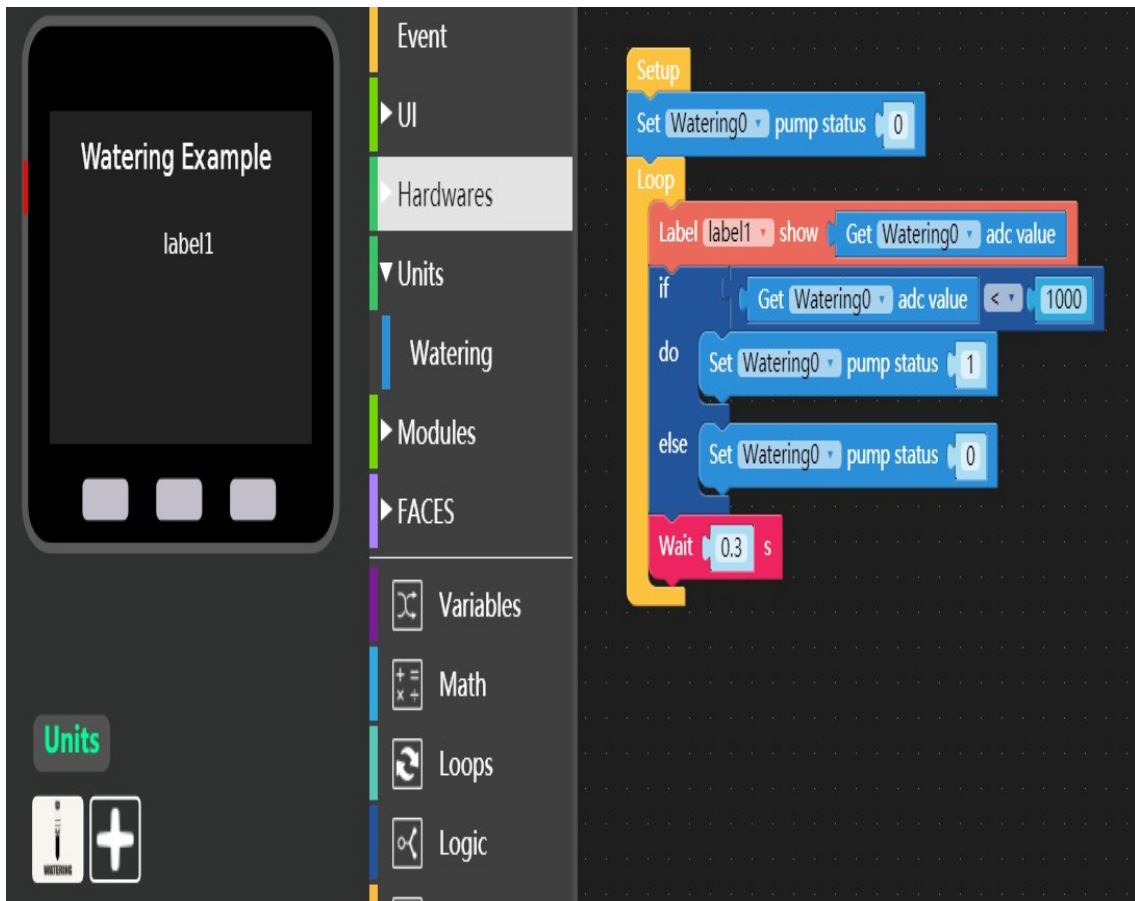
| Example

1. Arduino

- [Click here to download the Arduino example](#)

2. UIFlow

- [Click here to download the UIFlow example](#)



The image shows a software development environment for a microcontroller. On the left, a preview window displays a mobile-style UI with the title "Watering Example" and a label "label1". Below the preview are icons for "Units" and a "+" button. The central pane is a library of components, including "Event", "UI", "Hardware", "Units", "Watering", "Modules", "FACES", "Variables", "Math", "Loops", and "Logic". On the right, a block-based program is shown. It starts with a "Setup" block containing "Set Watering0 pump status 0". This is followed by a "Loop" block containing: "Label label1 show Get Watering0 adc value", an "if" block with the condition "Get Watering0 adc value < 1000", a "do" block with "Set Watering0 pump status 1", an "else" block with "Set Watering0 pump status 0", and a "Wait 0.3 s" block.

| Video